

Encoder Cable. EC-...AS-H



- Encoder cable for incremental linear or angular encoders with 1 Vpp.
- Direct connection to Heidenhain, Selca or Siemens Powerline systems.
- Twisted pairs for differential signals.
- Available in 1, 2, 3, 6, 9 & 12 meter lengths for armoured models and 1, 3, 6, 9 & 12 meter lengths for unarmoured models.
- Available with or without armour.
- Supply voltage sense link.

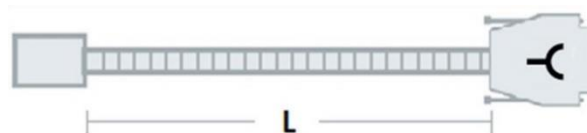
Pin Out

Pin Input	Colour	Signal	Pin Output
	Brown	+5 V	1
	White	0 V	2
	Green	A	3
	Yellow	/A	4
	Blue	B	6
	Red	/B	7
	Purple	+5 V sense	9
	Grey	lo	10
	Black	0 V sense	11
	Pink	/lo	12
	Shield	Ground	Housing

Pin Layout

Cable Diagram

Pin Layout



Front view

L = 1, 2, 3, 6, 9, 12 meters armoured

L = 1, 3, 6, 9, 12 meters unarmoured

Lead-in Connector

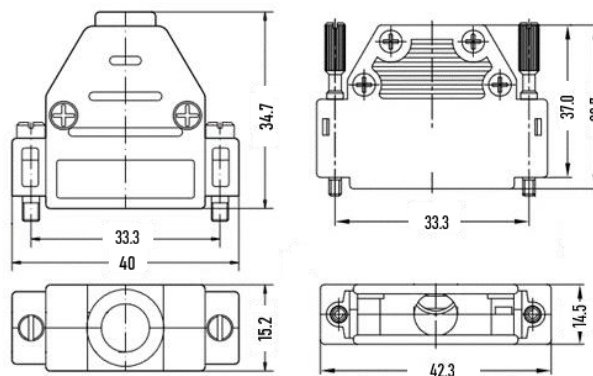
Cable Specification

Terminating Connector

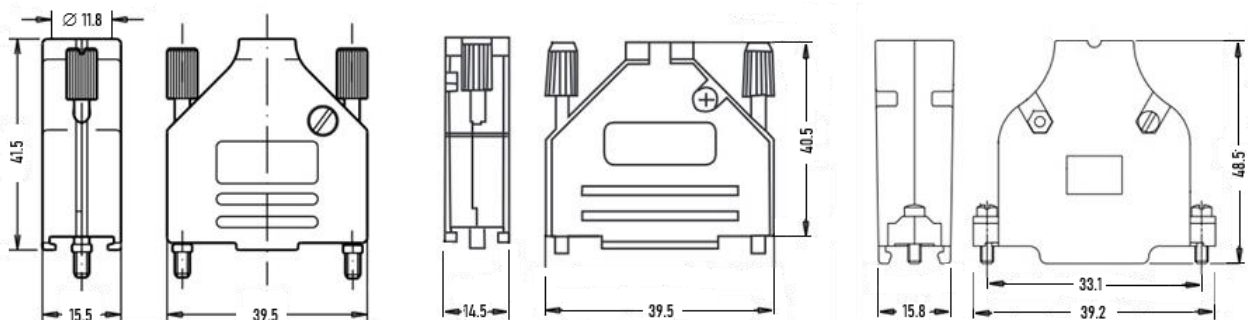
Construction	5 x 2 x 0.14 mm ²
Material	Polyurethane
Ø without armour	6 mm
Bend radius dynamic	≥ 60 mm
Bend radius static	≥ 24 mm
Ø with armour	10 mm
Bend radius dynamic	≥ 60 mm
Bend radius static	≥ 35 mm
Shield	Single
Terminating connector	D-Sub 15 pole female

Housing dimensions slightly differ for manufacturers

Housings for models with armour



Housings for models without armour



Feedback Product Data Sheet

FAGOR
AUTOMATION



Open
to your
world

Order Information

EC-(x)AS-H	Where (x) = 1, 2, 3, 6, 9 or 12 meters with armour; (x) = 1, 3, 6, 9 or 12 meters without armour, indicate "-N" for no armour.
------------	--

Example

Order Code	Description
EC-3AS-H	Encoder cable of 3 meters, cable type "A" specifications as above and terminating connector D-Sub 15 pole female, with armour.
EC-1AS-H-N	Encoder cable of 1 meter, cable type "A" specifications as above and terminating connector D-Sub 15 pole female, without armour.
