

Encoder Cable. EC-...B-DA



- Encoder cable for absolute linear or angular encoders with digital FeeDat protocol or SSI protocol plus analog 1 Vpp signals output.
- Direct connection to Fagor **QuerCus** systems.
- Analog signals dual shielded.
- Twisted pairs for differential signals.
- Available in 1, 3, 6 & 9 meter lengths.
- Available with or without armour. Armoured models with 0.75 meters free to ease the shield connection to the grounding plate.
- Supply voltage sense link.

Pin Out

Pin Input	Colour	Signal	Pin Output
	Green	A	1
	Yellow	/A	2
	Blue	B	3
	Red	/B	4
	Grey	DATA	5
	Pink	/DATA	6
	Black	CLOCK	7
	Violet	/CLOCK	8
	Brown	+5 V	9
	Red-Blue (or Light Green)	+5 V sense	10
	White	0 V	11
	Grey-Pink (or Orange)	0 V sense	12
	Shields	Ground	Housing

Pin Layout

Cable Diagram

Pin Layout



L = 1, 3, 6, 9 meters



Front view

Note. The armour ends at 0.75 m from the end connector. This simplifies the shield connection to the grounding plate.

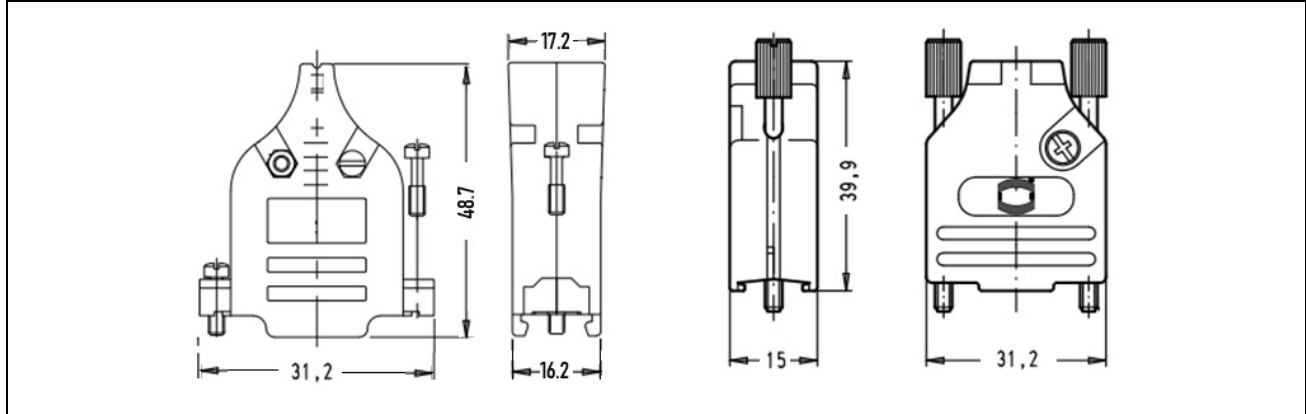
Lead-in Connector

Cable Specification

Terminating Connector

Construction	((4 x 0.09 mm ²) + 4 x 0.09 mm ² + 4 x 0.14 mm ²)
Material	Polyurethane
Ø without armour	6 mm
Bend radius dynamic	≥ 60 mm
Bend radius static	≥ 24 mm
Ø with armour	10 mm
Bend radius dynamic	≥ 60 mm
Bend radius static	≥ 35 mm
Shield	Single plus dual for 4 wires
Terminating connector	D-Sub HD 15 pole male

Housing dimensions slightly differ for manufacturers



Order Information

EC-(x)B-DA Where (x) = 1, 3, 6 or 9 meters; indicate "-N" for no armour.

Example

Order Code	Description
EC-3B-DA	Encoder cable of 3 meters, cable type "B" specifications as above and terminating connector D-Sub HD 15 pole male, with armour.
EC-6B-DA-N	Encoder cable of 6 meters, cable type "B" specifications as above and terminating connector D-Sub HD 15 pole male, without armour.