

## Encoder Cable. EC-...B-S1



- Encoder cable for absolute linear or angular encoders with SSI plus 1 Vpp analog signals output.
- Direct connection to Siemens SMC 20 module.
- Twisted pairs for differential signals.
- Dual shield on four wires.
- Available in 1, 3, 6 & 9 meter lengths.
- Available with or without armour.
- Supply voltage sense link.

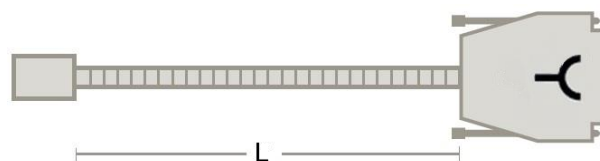
### Pin Out

Pin Input	Colour	Signal	Pin Output
	Brown	+5 V	1
	Red-Blue (Light Green)	+5 V sense	14
	Black	CLOCK	10
	Violet	/CLOCK	12
	White	0 V	2
	Grey-Pink (Orange)	0 V sense	16
	Blue	B	6
	Red	/B	7
	Grey	DATA	15
	Green	A	3
	Yellow	/A	4
	Pink	/DATA	23
	Internal Shield	Ground	5
	External Shield	Ground	Housing

### Pin Layout

### Cable Diagram

### Pin Layout



L = 1, 3, 6, 9 meters



Front view

## Lead-in Connector

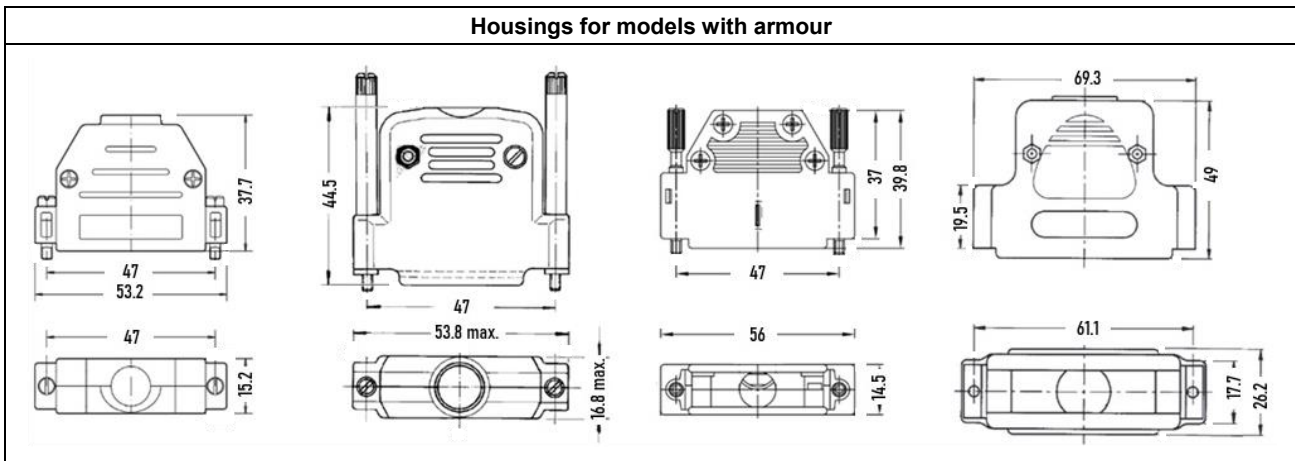
## Cable Specification

## Terminating Connector

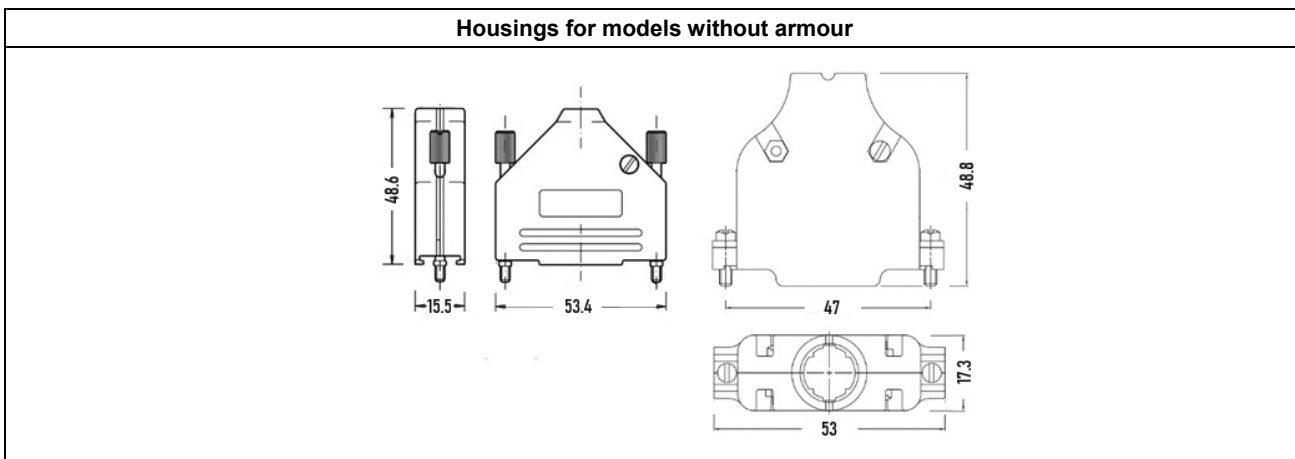
<b>Construction</b>	4 x 0.09 mm <sup>2</sup> + 4 x 0.09 mm <sup>2</sup> + 4 x 0.14 mm <sup>2</sup>
<b>Material</b>	Polyurethane
<b>Ø without armour</b>	6 mm
<b>Bend radius dynamic</b>	≥ 60 mm
<b>Bend radius static</b>	≥ 24 mm
<b>Ø with armour</b>	10 mm
<b>Bend radius dynamic</b>	≥ 60 mm
<b>Bend radius static</b>	≥ 35 mm
<b>Shield</b>	Single plus dual for 4 wires
<b>Terminating connector</b>	D-Sub 25 pole female

Housing dimensions slightly differ for manufacturers

Housings for models with armour



Housings for models without armour



# Feedback Product Data Sheet

**FAGOR**  
AUTOMATION



Open  
to your  
world

## Order Information

---

EC-(x)B-S1                    Where (x) = 1, 3, 6 or 9 meters; indicate "-N" for no armour.

---

## Example

---

Order Code	Description
EC-3B-S1	Encoder cable of 3 meters, cable type "B" specifications as above and terminating connector D-Sub 25 pole female, with armour.
EC-6B-S1-N	Encoder cable of 6 meters, cable type "B" specifications as above and terminating connector D-Sub 25 pole female, without armour.

---