

Encoder Cable. EC-...C-H



- Encoder cable for incremental linear or angular encoders with 1 Vpp.
- Direct connection to Heidenhain, Selca or Siemens Powerline systems.
- Twisted pairs for differential signals.
- Dual shield.
- Available in 1, 3, 6, 9 & 12 meter lengths.
- Available with or without armour.

Pin Out

Pin Input	Colour	Signal	Pin Output
	Brown	+5 V	1
	White	0 V	2
	Green	A	3
	Yellow	/A	4
	Internal Shield	Ground	5
	Blue	B	6
	Red	/B	7
	Grey	Io	10
	Pink	/Io	12
	External Shield	Ground	Housing

Pin Layout

Cable Diagram

Pin Layout



L = 1, 3, 6, 9, 12 meters



Front view

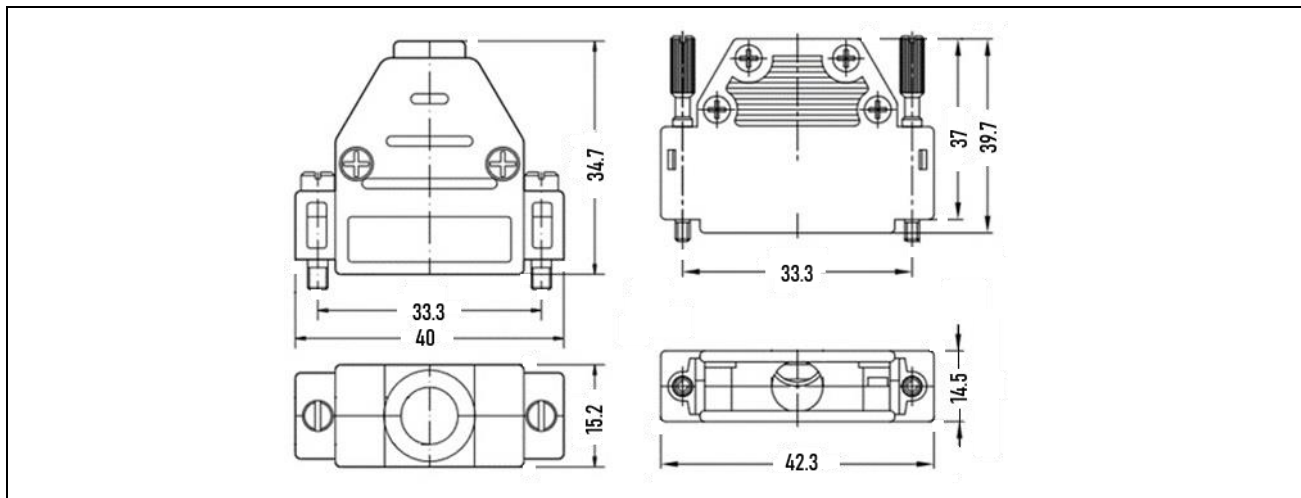
Lead-in Connector

Cable Specification

Terminating Connector

Construction	2 x 2 x 0.09 mm ² + 2 x 2 x 0.14 mm ²
Material	Polyurethane
Ø without armour	6.2 mm
Bend radius dynamic	≥ 60 mm
Bend radius static	≥ 24 mm
Ø with armour	10 mm
Bend radius dynamic	≥ 60 mm
Bend radius static	≥ 35 mm
Shield	Dual
Terminating connector	D-Sub 15 pole female

Housing dimensions slightly differ for manufacturers



Order Information

EC-(x)C-H Where (x) = 1, 3, 6, 9 or 12 meters, with armour.

Example

Order Code	Description
EC-3C-H	Encoder cable of 3 meters, cable type "C" specifications as above and terminating connector D-Sub 15 pole female, with armour.