

Encoder Cable. EC-...P-D5S



- Encoder cable for incremental linear or angular encoders with 1 Vpp or TTL differential signal output.
- Direct connection to systems with D-Sub 9 pole male input connector.
- Twisted pairs for differential signals.
- Available in 1, 2, 3, 4, 6, 9, & 12 meter lengths.
- Available only without armour.

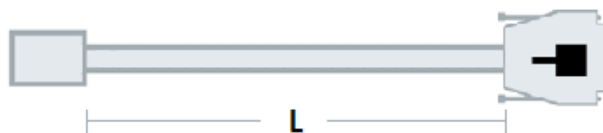
Pin Out

Pin Input	Colour	Signal	Pin Output
	Green	A	2
	Yellow	/A	3
	Blue	B	4
	Red	/B	5
	Grey	Io	8
	Pink	/Io	9
	Brown	+5 V	7
	White	0 V	1
	Linked to 1	0 V	6
	Shield	Ground	Housing

Pin Layout

Cable Diagram

Pin Layout



L = 1, 2, 3, 4, 6, 9, 12 meters unarmoured



Front view

Lead-in Connector

Cable Specification

Terminating Connector

Construction 4 x 2 x 0.14 mm²

Material Polyurethane

Ø without armour 6 mm

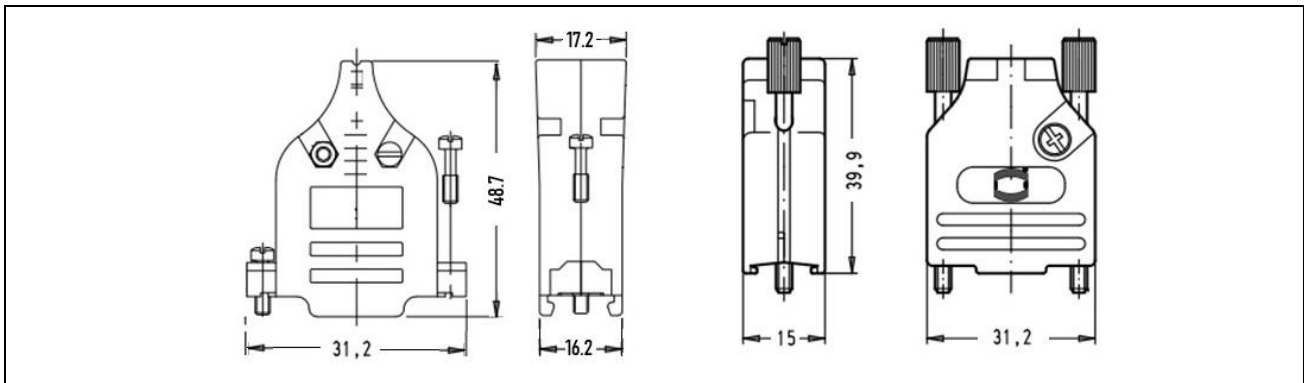
Bend radius dynamic ≥ 60 mm

Bend radius static ≥ 24 mm

Shield Single

Terminating connector D-Sub 9 pole male

Housing dimensions slightly differ for manufacturers



Order Information

EC-(x)P-D5S-N Where (x) = 1, 2, 3, 4, 6, 9 or 12 meters.

Example

Order Code	Description
EC-1P-D5S-N	Encoder cable of 1 meter, cable type "P" specifications as above and terminating connector D-Sub 9 pole male, without armour.