

## Encoder Cable. EC-...P-H9



- Encoder cable for incremental linear or angular encoders with 1 Vpp or TTL differential signal output.
- Direct connection to Heidenhain systems (Evaluation Electronics IK 3xx), with D-Sub 9 pole female input connector.
- Twisted pairs for differential signals.
- Available in 1, 1.5, 3, 6, 9, 10 & 12 meter lengths.
- Available only without armour.

### Pin Out

Pin Input	Colour	Signal	Pin Output
	Green	A	6
	Yellow	/A	1
	Blue	B	8
	Red	/B	3
	Grey	Io	9
	Pink	/Io	5
	Brown	+5 V	7
	White	0 V	2
	Shield	Ground	Housing

### Pin Layout

### Cable Diagram

### Pin Layout



Front view

L = 1, 1.5, 3, 6, 9, 12 meters unarmoured

## Lead-in Connector

## Cable Specification

## Terminating Connector

**Construction** 4 x 2 x 0.14 mm<sup>2</sup>

**Material** Polyurethane

**Ø without armour** 6 mm

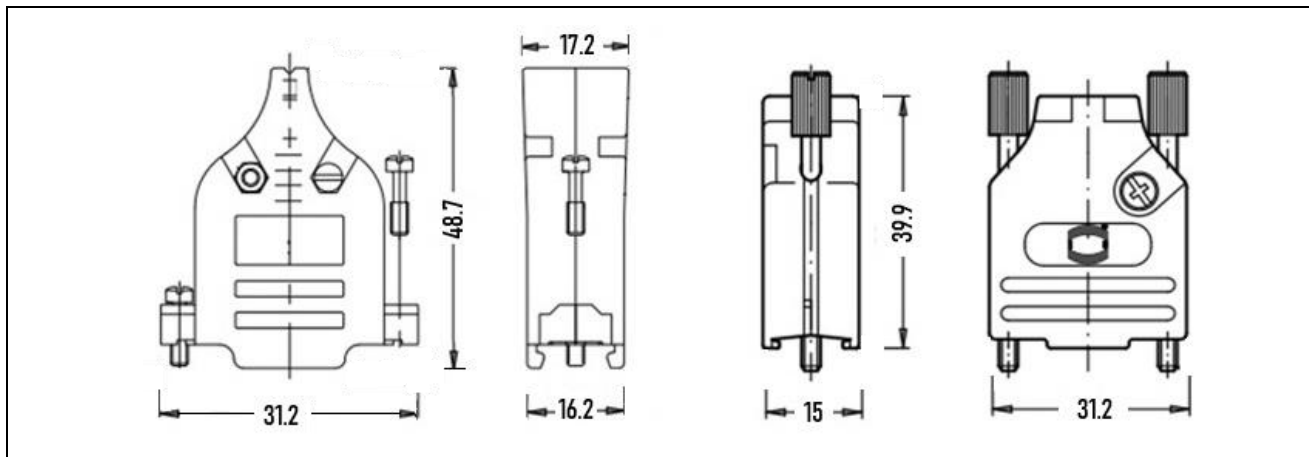
**Bend radius dynamic** ≥ 60 mm

**Bend radius static** ≥ 24 mm

**Shield** Single

**Terminating connector** D-Sub 9 pole male

Housing dimensions slightly differ for manufacturers



## Order Information

EC-(x)P-H9-N Where (x) = 1, 1.5, 3, 6, 9 or 12 meters.

## Example

Order Code	Description
EC-1P-H9-N	Encoder cable of 1 meter, cable type "P" specifications as above and terminating connector D-Sub 9 pole male, without armour.