

## Encoder Cable. EC-...P-W



- Encoder cable for incremental linear or angular encoders with 1 Vpp or TTL differential signal output.
- Direct connection to third party systems with terminating connector and pin out as below.
- Twisted pairs for differential signals Available in 1, 3, 6 & 9 meter lengths.
- Available in 1, 3, 6, 9 & 12 meter lengths.
- Only available with armour.

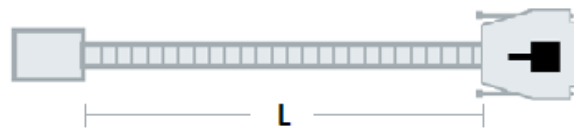
### Pin Out

Pin Input	Colour	Signal	Pin Output
	Green	A	15
	Yellow	/A	14
	Blue	B	13
	Red	/B	12
	Grey	Io	10
	Pink	/Io	11
	Brown	+5 V	6
	White	0 V	7
	Shield	Ground	Housing

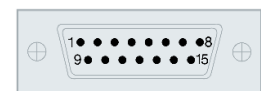
### Pin Layout

### Cable Diagram

### Pin Layout



L = 1, 3, 6, 9, 12 meters with armour



Front view

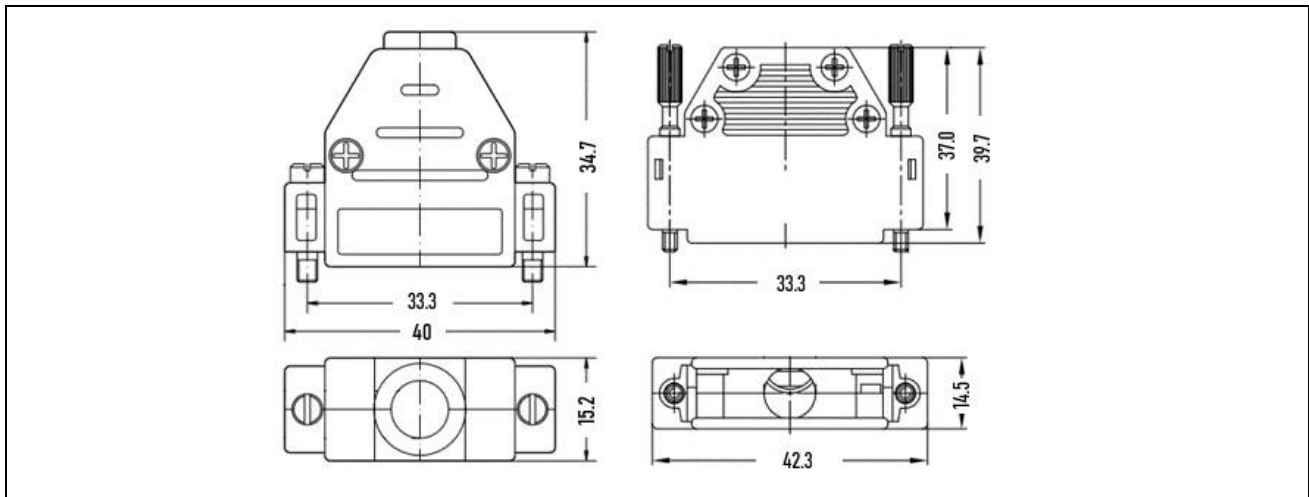
## Lead-in Connector

## Cable Specification

## Terminating Connector

<b>Construction</b>	4 x 2 x 0.14 mm <sup>2</sup>
<b>Material</b>	Polyurethane
<b>Ø with armour</b>	10 mm
<b>Bend radius dynamic</b>	≥ 60 mm
<b>Bend radius static</b>	≥ 35 mm
<b>Shield</b>	Single
<b>Terminating connector</b>	D-Sub 15 pole male

Housing dimensions slightly differ for manufacturers



## Order Information

EC-(x)P-W Where (x) = 1, 3, 6, 9 or 12 meter lengths with armour.

## Example

Order Code	Description
EC-3P-W	Encoder cable of 3 meters, cable type "P" specifications as above and terminating connector D-Sub 15 pole male, with armour.