

Encoder Cable. EC-...PA-DA



- Encoder cable for absolute linear or angular encoders with FeeDat or SSI (only digital signals) protocol.
- Direct connection to Fagor DRO Innova or servodrives (AXD, ACSD, QuerCus).
- Twisted pairs for differential signals.
- Available in 1, 3, 6 & 9 meter lengths.
- Available with or without armour.
- Supply voltage sense link.

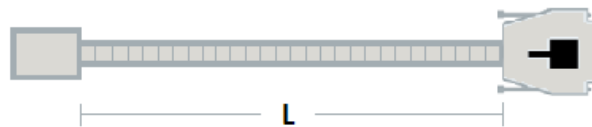
Pin Out

Pin Input	Colour	Signal	Pin Output
	Green	DATA	5
	Yellow	/DATA	6
	Blue	CLOCK	7
	Red	/CLOCK	8
	Brown	+5 V	9
	Grey	+5 V sense	10
	White	0 V	11
	Pink	0 V sense	12
	Shield	Ground	Housing

Pin Layout

Cable Diagram

Pin Layout



L = 1, 3, 6, 9 meters



Front view

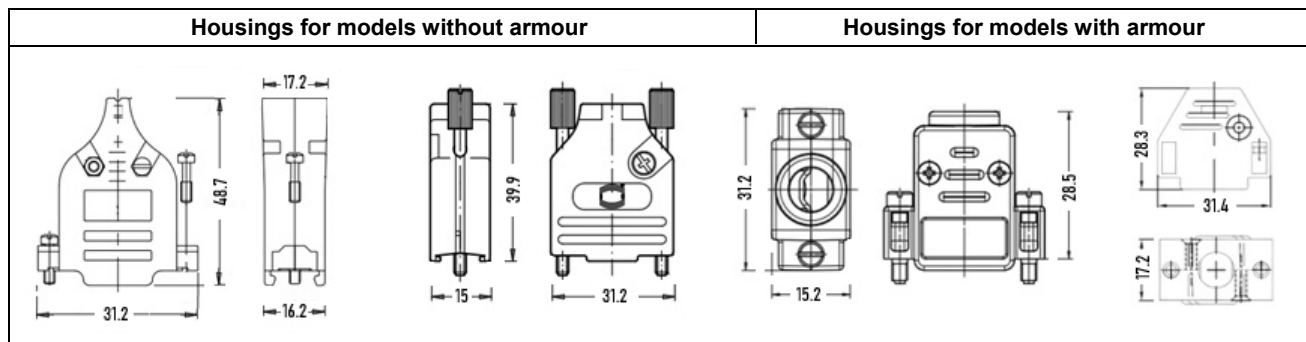
Lead-in Connector

Cable Specification

Terminating Connector

Construction	4 x 2 x 0.14 mm ²
Material	Polyurethane
Ø without armour	6 mm
Bend radius dynamic	≥ 60 mm
Bend radius static	≥ 24 mm
Ø with armour	10 mm
Bend radius dynamic	≥ 60 mm
Bend radius static	≥ 35 mm
Shield	Single
Terminating connector	D-Sub HD 15 pole male

Housing dimensions slightly differ for manufacturers



Order Information

EC-(x)PA-DA Where (x) = 1, 3, 6 or 9 meters; indicate “-N” for no armour.

Example

Order Code	Description
EC-3PA-DA	Encoder cable of 3 meters, cable type “P” specifications as above and terminating connector D-Sub HD 15 male, with armour.
EC-6PA-DA-N	Encoder cable of 6 meters, cable type “P” specifications as above and terminating connector D-Sub HD 15 male, without armour