

Encoder Cable. EC-...T-D



- Encoder cable for incremental linear encoders with non differential TTL signal output.
- Direct connection to Fagor DRO (NV or Innova).
- Available in 1, 2, 3, 4, 5, 6, 9, 12 & 20 meter lengths armoured.
- Available only with armour.

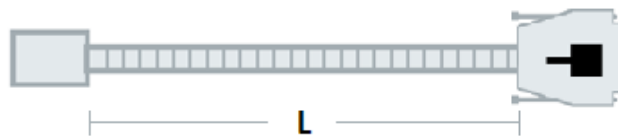
Pin Out

Pin Input	Colour	Signal	Pin Output
	Green	A	1
	Brown	B	3
	Grey	/Io	5
	Yellow	+5 V	9
	White	0 V	11
	Shield	Ground	15
	Shield	Ground	Housing

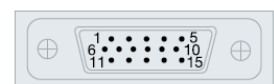
Pin Layout

Cable Diagram

Pin Layout



L = 1, 2, 3, 4, 5, 6, 9, 12, 20 meters armoured



Front view

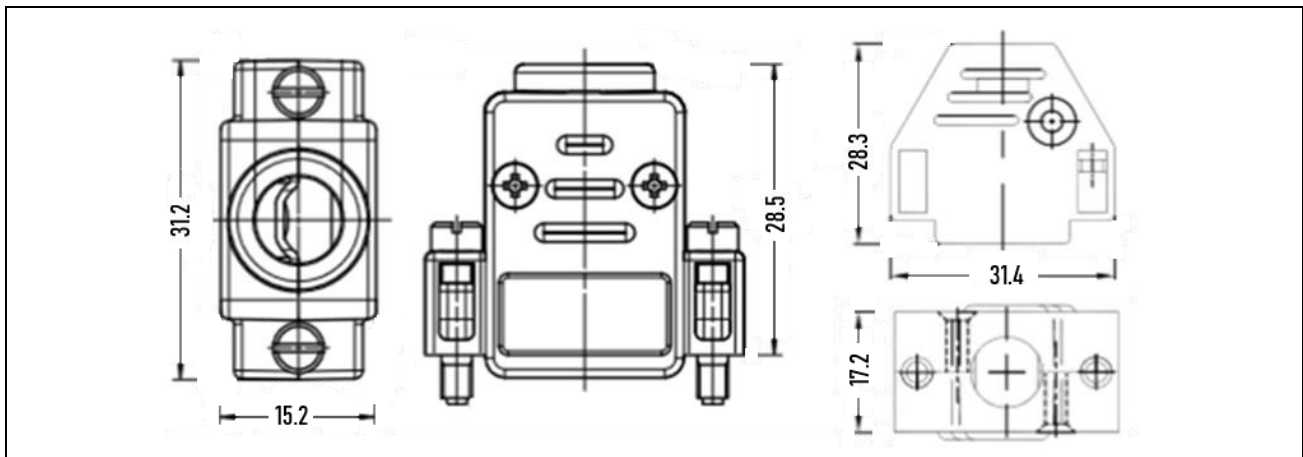
Lead-in Connector

Cable Specification

Terminating Connector

Construction	7 x 0.14 mm ²
Material	Polyurethane
Ø with armour	10 mm
Bend radius dynamic	≥ 60 mm
Bend radius static	≥ 35 mm
Shield	Single
Terminating connector	D-Sub HD 15 pole male

Housing dimensions slightly differ for manufacturers



Order Information

EC-(x)T-D Where (x) = 1, 2, 3, 4, 5, 6, 9, 12 or 20 meters with armour.

Example

Order Code	Description
EC-3T-D	Encoder cable of 3 meters, cable type "T" specifications as above and terminating connector D-Sub HD 15 pole male, with armour.