

Encoder Cable. EC-...U-D



- Encoder cable for incremental linear or angular encoders with 1 Vpp or TTL differential signal output.
- Direct connection to Fagor DRO (NV or InnoVA), CNC (8055/8035 or higher) or ServoDrives (AXD, ACSD).
- Hi-flex cable for very demanding dynamic applications or small bending radius.
- Twisted pairs for differential signals.
- Dual shield.
- Available in 1 & 3 meters.
- Only available without armour.
- Supply voltage sense link.

Pin Out

Pin Input	Colour	Signal	Pin Output
	Red	/B	4
	Red-Blue (or Orange)	+5 V sense	10
	Grey	Io	5
	Pink	/Io	6
	Green	A	1
	Yellow	/A	2
	Black	AI	7
	Violet	/AI	8
	Blue	B	3
	White	0 V	11
	Grey-Pink (or Grey-Red)	0 V sense	12
	Brown	+5 V	9
	Shield	Ground	15
	Shield	Ground	Housing

Pin Layout

Cable Diagram

Pin Layout



L = 1, 3 meters



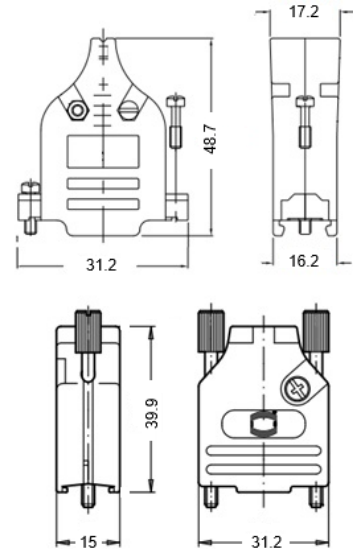
Front view

Lead-in Connector

Cable Specification

Construction	6 x 2 x 0.09 mm ²
Material	Polyurethane
Ø without armour	4 mm
Bend radius dynamic	≥ 32 mm
Bend radius static	≥ 16 mm
Shield	Single
Terminating connector	D-Sub HD 15 pole male

Terminating Connector



Housing dimensions slightly differ for manufacturers

Order Information

EC-(x)U-D-N Where (x) = 1 or 3 meters. (-N) without armour.

Example

Order Code	Description
EC-3U-D-N	Encoder cable of 1 meter, cable type "U" specifications as above. Terminating connector D-Sub HD 15 pole male and without armour.