

Extension Cable. XC-C2-...-DE

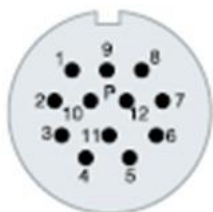


- Extension cable for incremental linear or angular encoders with 1 Vpp or TTL differential signal output.
- Extension cable XC-C2-DE connects:
 - encoder cable EC-...C1.
 - incremental exposed L2...C1.
 - autoguided incremental encoder PB...C1 to Delta Electronics, INC drives series ASDA A2R.
- Twisted pairs for differential signals.
- Available in 5, 10, 15, 20 & 25 meter lengths.
- Low power attenuation.

Pin Out

Pin Input	Colour	Signal	Pin Output
1	Pink	/B	2
3	Red	Io	9
4	Black	/Io	1
5	Brown	A	4
6	Green	/A	5
8	Grey	B	3
10	White-Green	0 V	6 & 7
11	White	0 V	6 & 7
12	Brown-Green	+5 V	8
2	Blue	+5 V	8
Housing	Shield	Ground	Housing

Pin Layout



Front view

Cable Diagram



L = 5, 10, 15, 20, 25 meters

Pin Layout



Front view

Lead-in Connector

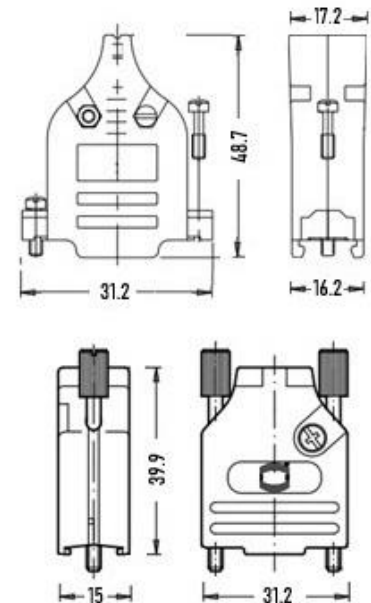


Cable Specification

Construction	4 x 2 x 0.14 mm ² + 4 x 0.5 mm ²
Material	Polyurethane
Ø	8 mm
Bend radius dynamic	≥ 80 mm
Bend radius static	≥ 50 mm
Shield	Single
Lead-in connector (encoder side)	M23 12-pin female, external male, contact arrangement direction P
Terminating connector	D-Sub HD 15 pole male

Terminating Connector

Housing dimensions slightly differ for manufacturers



Order Information

XC-C2-(x)-DE Where (x) = 5, 10, 15, 20 or 25 meters.

Example

Order Code	Description
XC-C2-10-DE	Extension cable of 10 meters, specifications as above, lead-in connector M23 12-pin female, external male, contact arrangement direction P. Terminating connector D-Sub HD 15 pole male.