

## Extension Cable. XC-C4-...-D



- Extension cable for incremental linear or angular encoders with 1 Vpp signal output.
- Extension cable XC-C4-D connects:
  - encoder cable EC-...C5.
  - rotary encoders S...C, H...C, S...C5, H...C5.
  - incremental exposed L2...C5.
 to Fagor DRO (NV or Innova), CNC (8055/8035 or higher) or servodrives (AXD, ACS D).
- Twisted pairs for differential signals.
- Available in 5, 10, 15, 20, 25, 30, 35 & 50 meter lengths.
- Low power attenuation and supply voltage sense link.

### Pin Out

Pin Input	Colour	Signal	Pin Output
1	Pink	/B	4
2	Blue	+5 V sense	10
3	Red	Io	5
4	Black	/Io	6
5	Brown	A	1
6	Green	/A	2
7	Violet	/AI	8
8	Grey	B	3
10	White-Green	0 V	11
11	White	0 V sense	12
12	Brown-Green	+5 V	9
Housing	Shield	Ground	Housing

### Pin Layout



Front view

### Cable Diagram



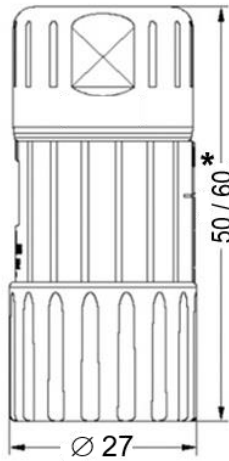
L = 5, 10, 15, 20, 25, 30, 35, 50 meters

### Pin Layout



Front view

## Lead-in Connector

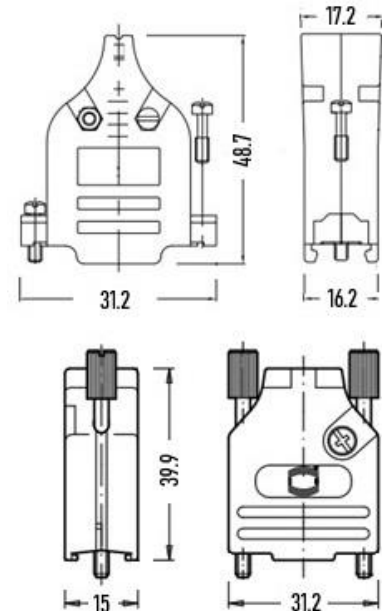


\* total length depends on supplier's

## Cable Specification

<b>Construction</b>	4 x 2 x 0.14 mm <sup>2</sup> + 4 x 0.5 mm <sup>2</sup>
<b>Material</b>	Polyurethane
<b>Ø</b>	8 mm
<b>Bend radius dynamic</b>	≥ 80 mm
<b>Bend radius static</b>	≥ 50 mm
<b>Shield</b>	Single
<b>Lead-in connector (encoder side)</b>	M23 12-pin female, external female, contact arrangement direction E
<b>Terminating connector</b>	D-Sub HD 15 pole male

## Terminating Connector



Housing dimensions slightly differ for manufacturers

**Note.** Same as XC-C2-D

## Order Information

XC-C4-(x)-D Where (x) = 5, 10, 15, 20, 25, 30, 35 or 50 meters.

## Example

Order Code	Description
XC-C4-10-D	Extension cable of 10 meters, specifications as above, lead-in connector M23 12-pin female, external female, contact arrangement direction E. Terminating connector D-Sub HD 15 pole male.