

Extension Cable. XC-C4-...-FT



- Extension cable for incremental linear or angular encoders with 3 Vpp or TTL signal output.
- Extension cable XC-C4-FT connects:
 - encoder cable EC-...C5.
 to legacy Fagor DRO CNC models (8055 with 3 Vpp / 8050 / 8030 or older).
- Twisted pairs for differential signals.
- Available in 5, 10, 15, 20 & 25 meter lengths.
- Low power attenuation and supply voltage sense link.

Pin Out

Pin Input	Colour	Signal	Pin Output
1	Pink	/B	4
2	Blue	+5 V sense	10
3	Red	Io	5
4	Black	/Io	6
5	Brown	A	1
6	Green	/A	2
7	Violet	/AI (L1)	8
8	Grey	B	3
10	White-Green	0 V	11
11	White	0 V sense	12
12	Brown-Green	+5 V	9
Housing	Shield	Ground	Housing

Pin Layout



Front view

Cable Diagram



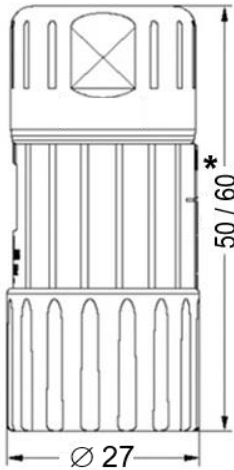
L = 5, 10, 15, 20, 25 meters

Pin Layout



Front view

Lead-in Connector



* total length depends on supplier's

Cable Specification

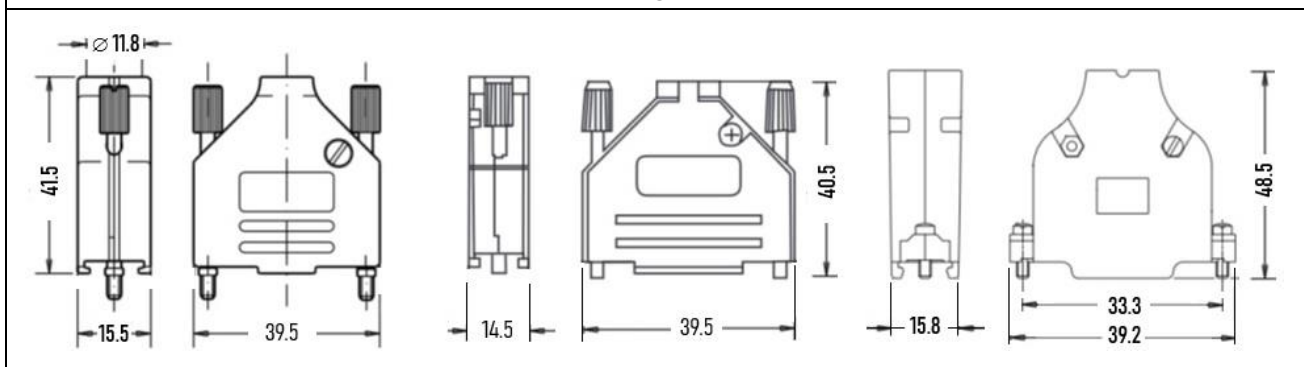
Construction	4 x 2 x 0.14 mm ² + 4 x 0.5 mm ²
Material	Polyurethane
Ø	8 mm
Bend radius dynamic	≥ 80 mm
Bend radius static	≥ 50 mm
Shield	Single
Lead-in connector (encoder side)	M23 12-pin female, external female, contact arrangement direction E
Terminating connector	D-Sub 15 pole female

Terminating Connector

Housing dimensions slightly differ for manufacturers

see drawing in the row below

Terminating Connector



Order Information

XC-C4-(x)-FT Where (x) = 5, 10, 15, 20 or 25 meters.

Example

Order Code	Description
XC-C4-10-FT	Extension cable of 10 meters, specifications as above, lead-in connector M23 12-pin female, external female, contact arrangement direction E. Terminating connector D-Sub 15 pole male.