

## Extension Cable. XC-C4-...-S3



- Extension cable for incremental linear or angular encoders with 1 Vpp signal output.
- Extension cable XC-C4-S3 connects:
  - encoder cable EC-...C5.
  - incremental exposed L2...C5.
 to Siemens SMC20 module.
- Twisted pairs for differential signals.
- Available in 5, 10, 15, 20 & 25 meter lengths.
- Low power attenuation and supply voltage sense link.

### Pin Out

Pin Input	Colour	Signal	Pin Output
5	Brown	A	3
6	Green	/A	4
8	Grey	B	6
1	Pink	/B	7
3	Red	Io	17
4	Black	/Io	18
12	Brown-Green	+5 V	1
10	White-Green	0 V	2
11	White	0 V sense	16
2	Blue	+5 V sense	14
Housing	Shield	Ground	Housing

### Pin Layout



Front view

### Cable Diagram



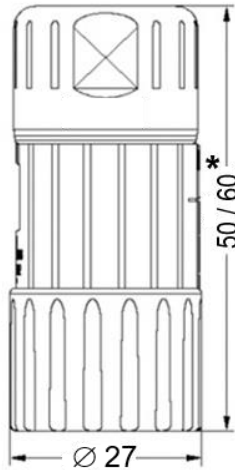
L = 5, 10, 15, 20, 25 meters

### Pin Layout



Front view

## Lead-in Connector



\* total length depends on supplier's

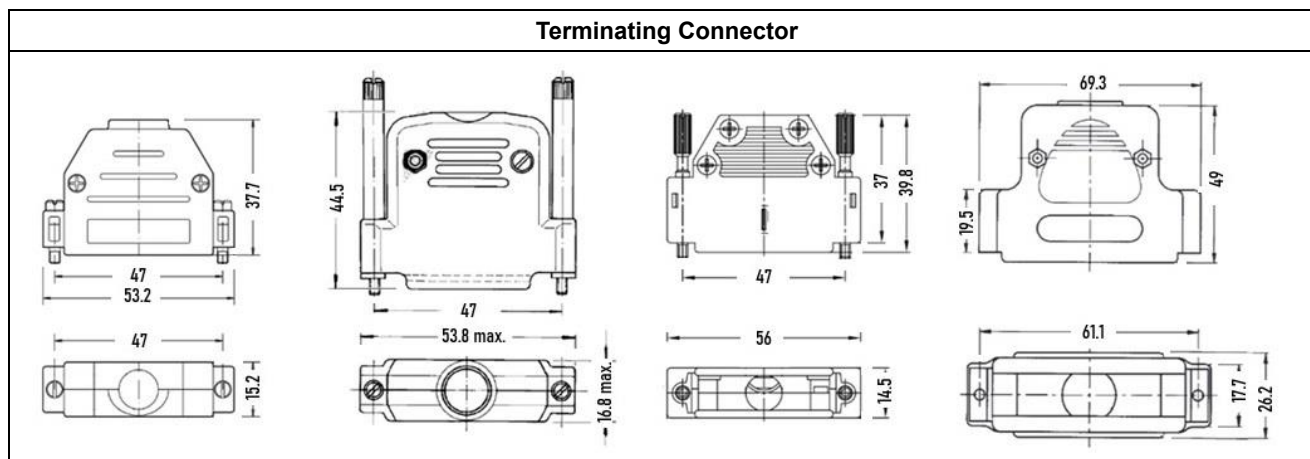
## Cable Specification

<b>Construction</b>	4 x 2 x 0.14 mm <sup>2</sup> + 4 x 0.5 mm <sup>2</sup>
<b>Material</b>	Polyurethane
<b>Ø</b>	8 mm
<b>Bend radius dynamic</b>	≥ 80 mm
<b>Bend radius static</b>	≥ 50 mm
<b>Shield</b>	Single
<b>Lead-in connector (encoder side)</b>	M23 12-pin female, external female, contact arrangement direction E
<b>Terminating connector</b>	D-Sub 15 pole female

## Terminating Connector

Housing dimensions slightly differ for manufacturers

see drawing in the row below



## Order Information

XC-C4-(x)-S3 Where (x) = 5, 10, 15, 20 or 25 meters.

## Example

Order Code	Description
XC-C4-10-S3	Extension cable of 10 meters, specifications as above, lead-in connector M23 12-pin female, external female, contact arrangement direction E. Terminating connector D-Sub 25 pole female.