

## Extension Cable. XC-C8-...F-D



- Extension cable for absolute linear or angular encoders with digital SSI plus 1 Vpp analog signals output.
- Extension cable XC-C8-F-D connects:
  - encoder cable EC-...B-C9.
  - angular encoder H2A ... D87 ... C9.
  - absolute exposed L2A ... C9D.
 to Fagor DRO Innova or servodrives (AXD, ACSD).
- Dual shield of the analog signals.
- Twisted pairs for differential signals.
- Available in 5, 10, 15, 20, 25, 30 & 35 meter lengths.
- Low power attenuation and supply voltage sense link.

### Pin Out

| Pin Input | Colour          | Signal     | Pin Output |
|-----------|-----------------|------------|------------|
| 1         | Blue            | +5 V sense | 10         |
| 4         | White           | 0 V sense  | 12         |
| 7         | Brown-Green     | +5 V       | 9          |
| 8         | Purple          | CLOCK      | 7          |
| 9         | Yellow          | /CLOCK     | 8          |
| 10        | White-Green     | 0 V        | 11         |
| 12        | Blue-Black      | B          | 3          |
| 13        | Red-Black       | /B         | 4          |
| 14        | Grey            | DATA       | 5          |
| 15        | Green-Black     | A          | 1          |
| 16        | Yellow-Black    | /A         | 2          |
| 17        | Pink            | /DATA      | 6          |
| 11        | Internal Shield | Ground     | 15         |
| Housing   | External Shield | Ground     | Housing    |

### Pin Layout



Front view

### Cable Diagram



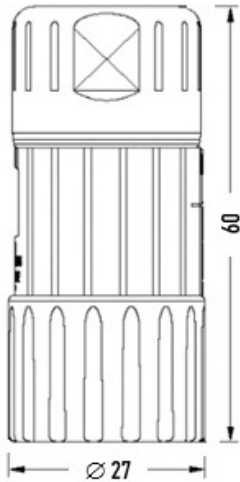
L = 5, 10, 15, 20, 25, 30, 35 meters

### Pin Layout



Front view

## Lead-in Connector

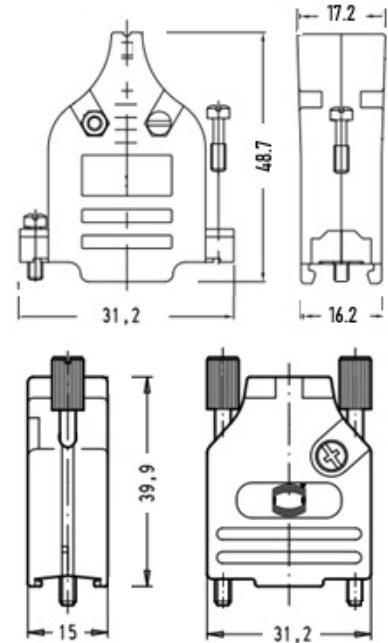


## Cable Specification

|   |  |
|---|--|
| <b>Construction</b>                     | 4 x 2 x 0.14 mm <sup>2</sup><br>+ 4 x 0.5 mm <sup>2</sup><br>+ (4 x 0.14 mm <sup>2</sup> ) |
| <b>Material</b>                         | Polyurethane   |
| <b>Ø</b>                                | 8 mm   |
| <b>Bend radius dynamic</b>              | ≥ 80 mm  |
| <b>Bend radius static</b>               | ≥ 50 mm  |
| <b>Shield</b>                           | Single plus dual for 4 wires   |
| <b>Lead-in connector (encoder side)</b> | M23 17-pin female, external female, contact arrangement direction P                        |
| <b>Terminating connector</b>            | D-Sub HD 15 pole male  |

## Terminating Connector

Housing dimensions slightly differ for manufacturers



## Order Information

XC-C8-(x)F-D      Where (x) = 5, 10, 15, 20, 25, 30 or 35 meters.

## Example

| Order Code  | Description  |
|-------------|--|
| XC-C8-10F-D | Extension cable of 10 meters, specifications as above, lead-in connector M23 17-pin female, external female, contact arrangement direction P. Terminating connector D-Sub HD 15 pole male. |