

Extension Cable. XC-C8-...F-KMA



- Extension cable for absolute linear or angular encoders with digital BiSS C plus 1 Vpp analog signals output.
- Extension cable XC-C8-F-KMA connects:
 - encoder cable EC-...B-C9.
 - angular encoder H2ABBC...D87...C9.
 - absolute linear encoder S3BBC-...-5.
 to KOLLMORGEN Servo Drives.
- Analog signals dual shield.
- Twisted pairs for differential signals.
- Available in 5, 10, 15, 20 & 25 meter lengths.
- Low power attenuation and supply voltage sense link.

Pin Out

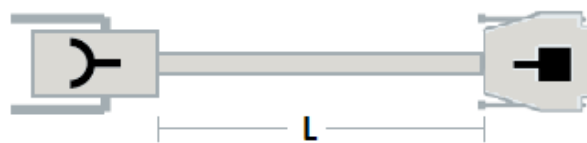
Pin Input	Colour	Signal	Pin Output
1	Blue	+5 V sense	4
4	White	0 V sense	5
7	Brown-Green	+5 V	10
8	Purple	CLOCK	2
9	Yellow	/CLOCK	3
10	White-Green	0 V	11
12	Blue-Black	B	14
13	Red-Black	/B	15
14	Grey	DATA	6
15	Green-Black	A	12
16	Yellow-Black	/A	13
17	Pink	/DATA	7
11	Internal Shield	Ground	Housing
Housing	External Shield	Ground	Housing

Pin Layout



Front view

Cable Diagram



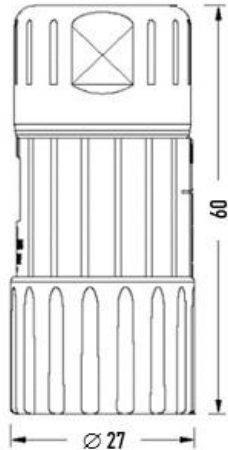
L = 5, 10, 15, 20, 25 meters

Pin Layout



Front view

Lead-in Connector

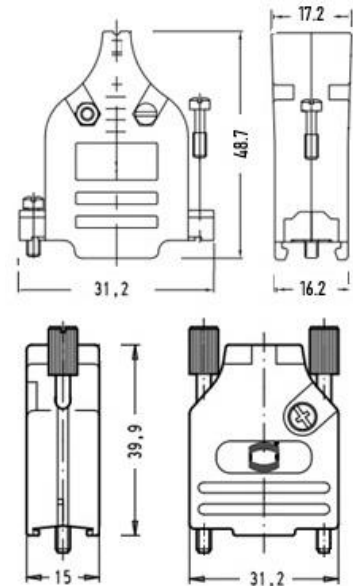


Cable Specification

Construction	4 x 2 x 0.14 mm ² + 4 x 0.5 mm ² + 4 x 0.14 mm ²
Material	Polyurethane
Ø	8 mm
Bend radius dynamic	≥ 80 mm
Bend radius static	≥ 50 mm
Shield	Single plus dual for 4 wires
Lead-in connector (encoder side)	M23 17-pin female, external female, contact arrangement direction P
Terminating connector	D-Sub HD 15 pole male

Terminating Connector

Housing dimensions slightly differ for manufacturers



Order Information

XC-C8-(x)F-KMA Where (x) = 5, 10, 15, 20 or 25 meters.

Example

Order Code	Description
XC-C8-10F-KMA	Extension cable of 10 meters, specifications as above, lead-in connector M23 17-pin female, external female, contact arrangement direction P. Terminating connector D-Sub HD 15 pole male.