

Extension Cable. XC-D1-...P-D



- Extension cable for incremental linear and angular encoders with differential TTL and 1 Vpp signals output.
- Extension cable XC-D1-P-D connects:
 - encoder cable EC-P...D.
 - incremental differential linear encoder MKX.
 - incremental exposed linear encoder L2...D.
 - incremental autoguided linear encoder PB...D.
- Available in 1, 2, 3, 4, 5, 6, 9 & 12 meter lengths.
- Twisted pairs for differential signals.

Pin Out

Pin Input	Colour	Signal	Pin Output
1	Green	A	1
2	Yellow	/A	2
3	Blue	B	3
4	Red	/B	4
5	Grey	lo	5
6	Pink	/lo	6
9	Brown	+5 V	9
11	White	0 V	11
15	Shield	Ground	15
Housing	Shield	Ground	Housing

Pin Layout



Front view

Cable Diagram



L = 1, 2, 3, 4, 5, 6, 9, 12 meters

Pin Layout

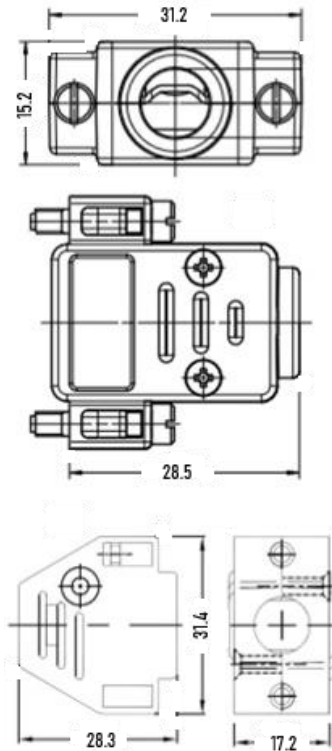


Front view

Feedback Product Data Sheet

Lead-in Connector

Housing dimensions slightly differ for manufacturers

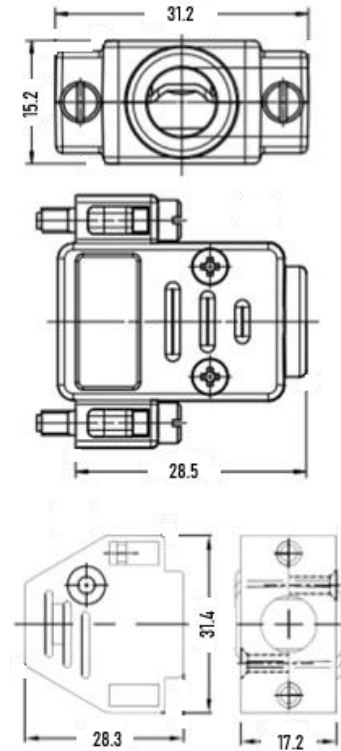


Cable Specification

Construction	4 x 2 x 0.14 mm ²
Material	Polyurethane
Ø	6 mm
Bend radius dynamic	≥ 60 mm
Bend radius static	≥ 24 mm
Shield	Single
Lead-in connector (encoder side)	D-Sub HD 15 pole female
Terminating connector	D-Sub HD 15 pole male

Terminating Connector

Housing dimensions slightly differ for manufacturers



Order Information

XC-D1-(x)P-D Where (x) = 1, 2, 3, 4, 5, 6, 9 or 12 meters.

Example

Order Code	Description
XC-D1-6P-D	Extension cable of 6 meters, specifications as above, lead-in connector D-Sub HD 15 pole female. Terminating connector D-Sub HD 15 pole male.